

Test device to validate the protection for safety of DC electric supply equipment

Abstract:

The aim of the project is the design of a concept as well as a prototype of a test device to validate the protective measures against electrical shock from DC electric vehicle supply equipment.



Fig.1: measurement distribution board

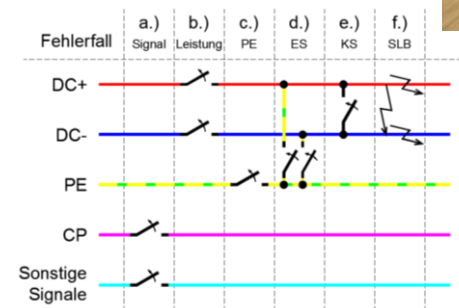


Fig.2: case of faults

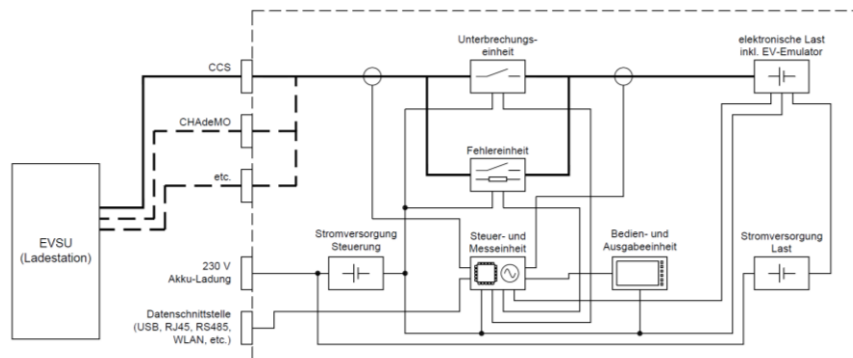


Fig.3: test device scheme

Project partner:

