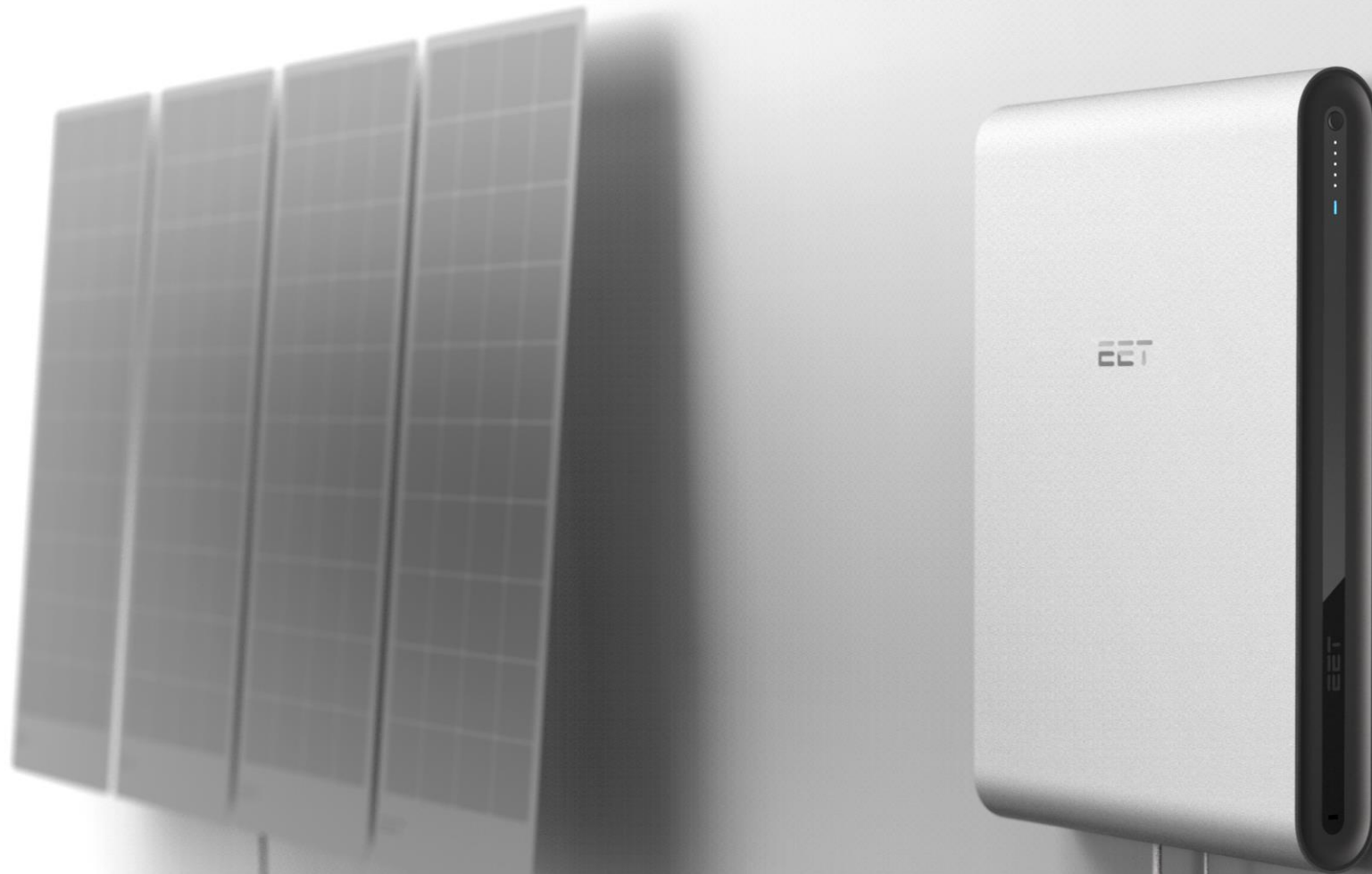




EFFICIENT
ENERGY
TECHNOLOGY
GMBH



EET SOLMATE

The first plug-in photovoltaic and storage solution

EINFACHE
INSTALLATION



100%
EIGENNUTZUNG



UMWELT SCHONEN
ENERGIEKOSTEN SPAREN

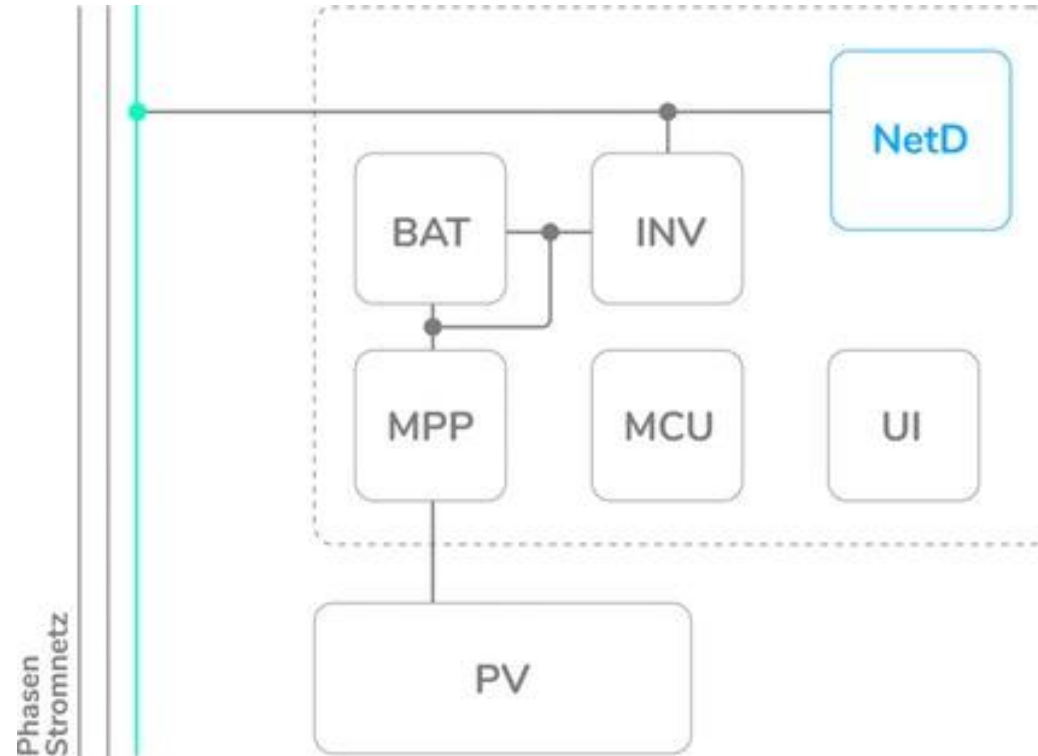


NOTFALL
VERSORGUNG



NETDETECTION

patented measurement technology



- BAT Akku
- INV Wechselrichter
- MPP Maximum Power Point Tracker
- MCU Main Control Unit
- UI User Interface
- NetD NetDetection System (innovation core)
- PV Photovoltaik

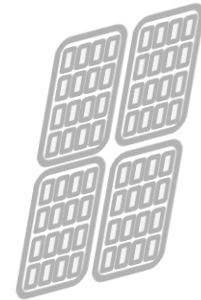
NETDETECTION – Measures the power consumption of the household from any socket



< 5%
Simon



ca. 25%
SOLMATE



> 100%
Sonnen

25% – of your household's demand is covered by **SOLMATE**

EET



Verbund

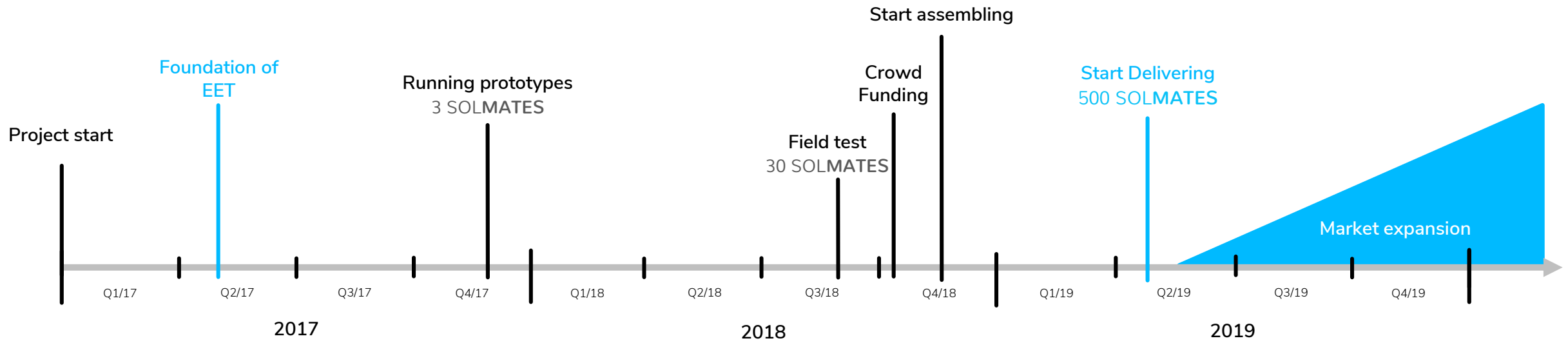


bayernwerk

Mentors/Investors

Klaus Fronius

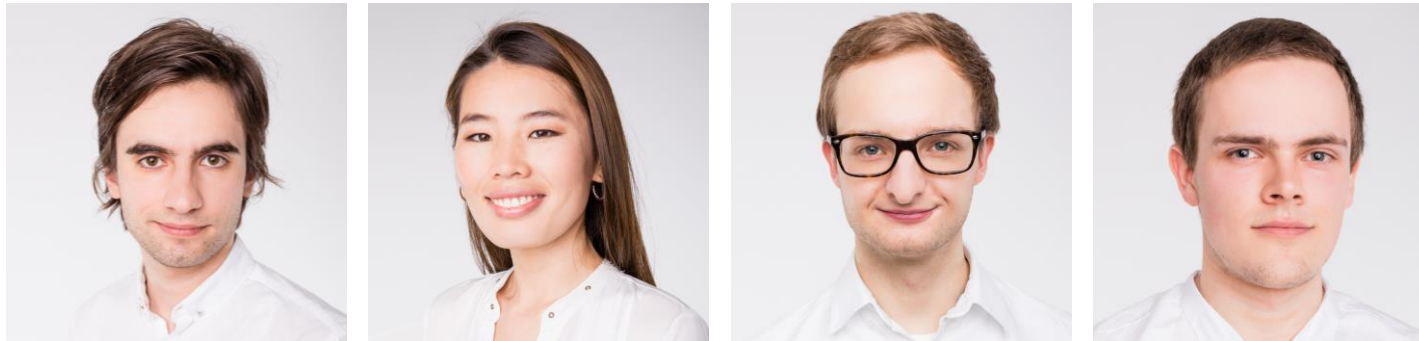
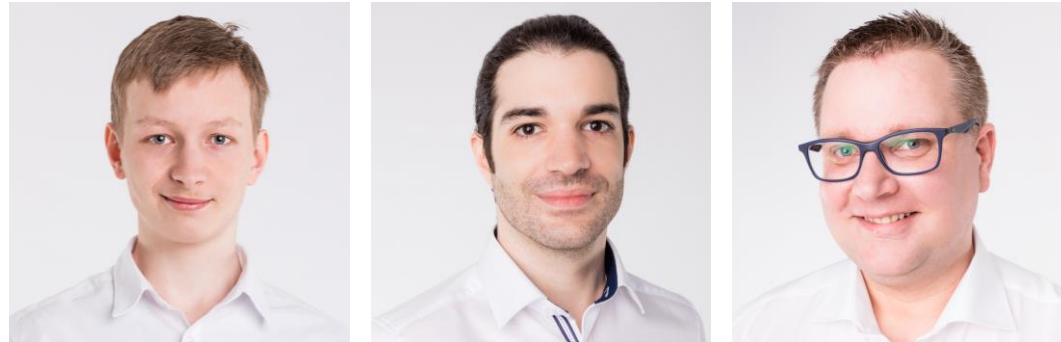
Michael Koncar



TIMELINE – Go2market starts with crowdfunding in September 2018 (AT + DE), market expansion 2019



FOUNDER



TEAM



APPLY NOW

CHRISTOPH@EET.ENERGY



EFFICIENT
ENERGY
TECHNOLOGY
GMBH

Dr. Christoph Grimmer

Peterstalstr. 18/3
8042 Graz, Austria

www.eet.energy
info@eet.energy
+43 (664) 2556272

FN 470986b



≡ Bundesministerium
Digitalisierung und
Wirtschaftsstandort



≡ Bundesministerium
Verkehr, Innovation
und Technologie